

Stock Zenoah 26 Regulations

for Stock Zenoah 26 Endurance, Offshore and Hydro Stock Zenoah 26 classes

Issued by the iMBRA Committee, valid from January 2025

11.1. Approved engine

G260PUM water cooled 25,4 cc

11.2. All internal parts in the engine must be standard.

Internal parts cannot be reworked, machined or modified in any way.

Worn or defective parts can be replaced, but only original parts can be used.

11.3. Approved carburettor: Walbro 644 / 645

The carburettor cannot be modified, but funnel (detail 57)* can be removed

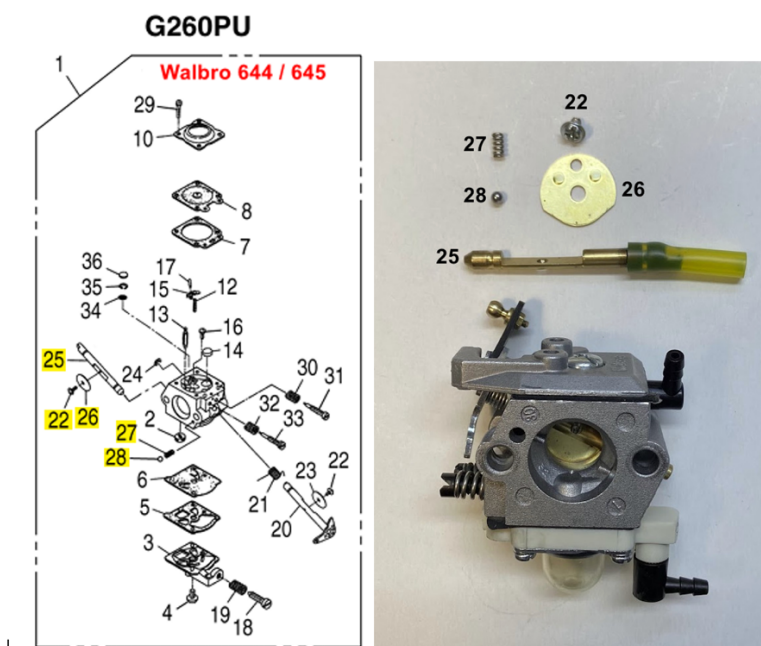
(Note: many dealers sell engines with other carburettors, but only Walbro 644 and 645 are allowed).

11.4 Approved modifications in the engines:

(1) The aluminum plate (detail 30 in Zenoah service manual)* can be replaced with another motor mount.

(2) Coil (detail 53)* can be moved.

(3) Choke damper (detail 22,25,26,27,28 on the Walbro 644 / 645 carburettor drawing)* can be dismantled.



(4) Stop button can be mounted.

(5) Starting device (detail 33)* can be exchanged for an equivalent in metal.

(6) Funnel for carburettor (detail 57)* can be dismantled.

(7) The rope (pull) starter can be replaced by an alternative starter.

Electric starters are also allowed and it is allowed to add a flywheel to the engine, but the rope (pull) starter also needs to stay in place

(8) The motor`s outer parts can be processed in order to create a more installation-friendly motor profile, without changing the motor`s properties.

(9) External screws and nuts can be replaced with equivalent merchandise of similar quality.

(10) All kinds of tuned pipes are legal.

*(Details are taken from Zenoah owner`s service manual exploded view)

11.5. Propulsion: only direct drive propulsion (without a gearbox) is allowed

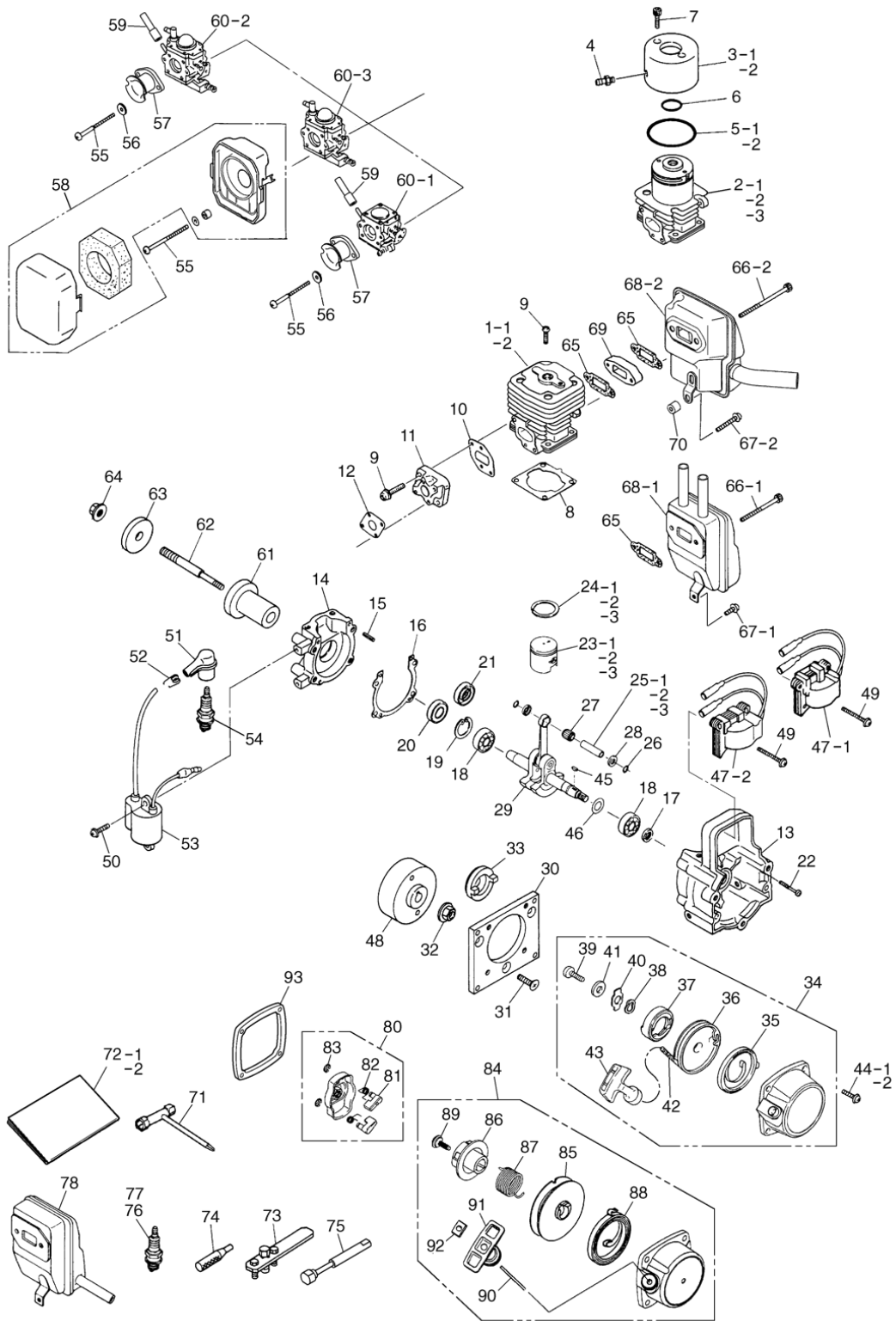
11.6. Fuel: according to iMBRA General Rules section 3.3.2 / 5)

11.7. Radio control

The boat can be equipped with a maximum of 2 servos (rudder and throttle).

Optionally a 3rd servo can be used to operate as kill switch, disconnecting the ignition.

11.8 ZENOAH manual detailed drawings and pictures





*Pictures of Walbro 644 carburettor